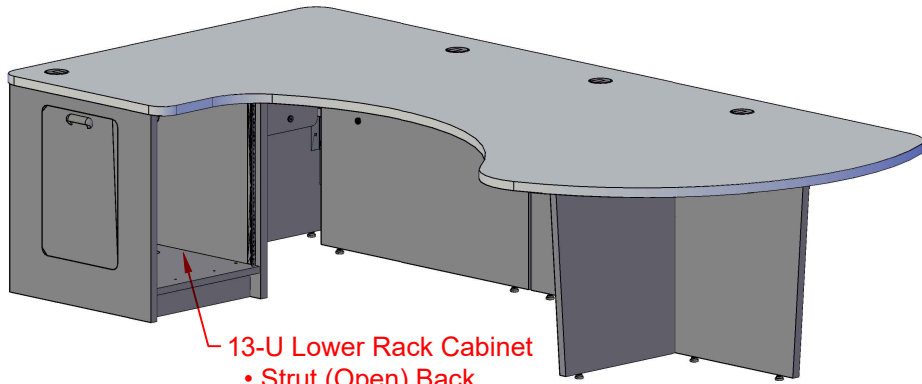
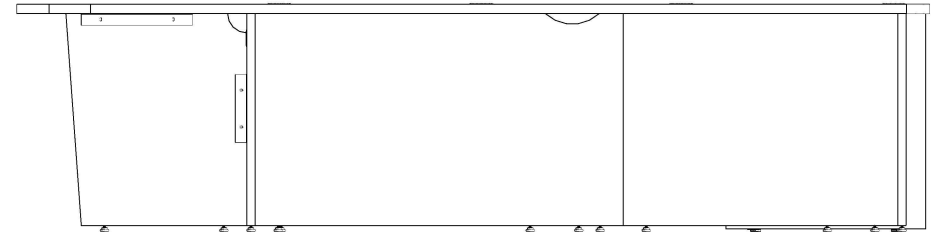


Phoenix P-10-S-L – Schematic

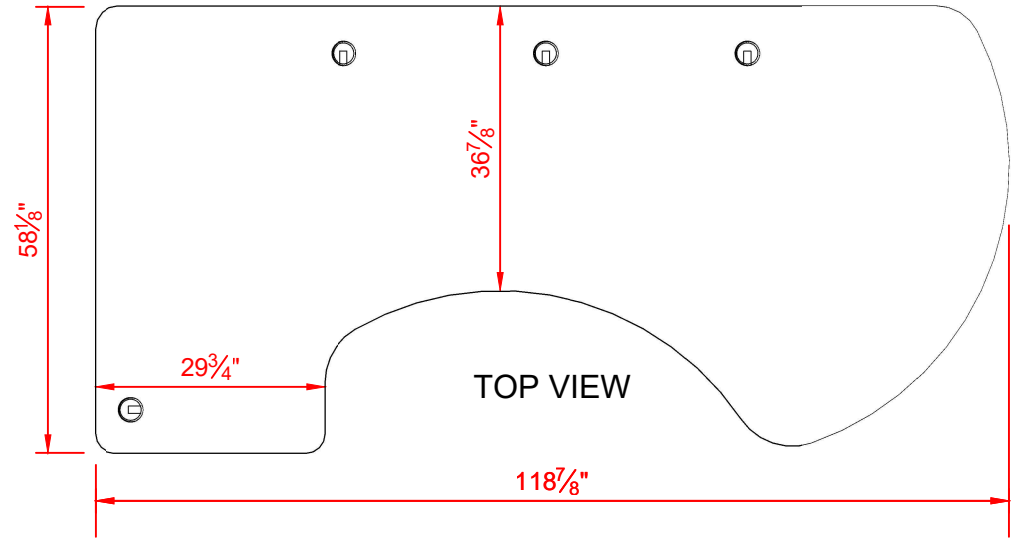
The Phoenix Production Studio is designed to fit into a room corner. Its Covers and Cable raceway are accessible beneath the Operator's position.



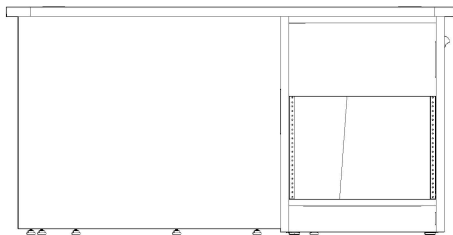
- 13-U Lower Rack Cabinet
 - Strut (Open) Back
 - Pop-Off at Left Side
 - Usable Rack Depth $\pm 25\frac{1}{8}$ "
 - ($\pm 23\frac{1}{2}$ " for uppermost 6-U)



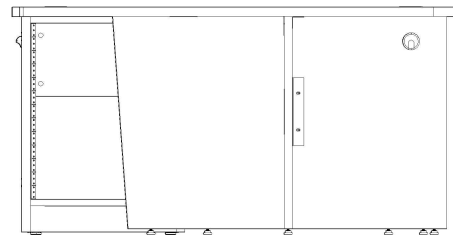
REAR VIEW



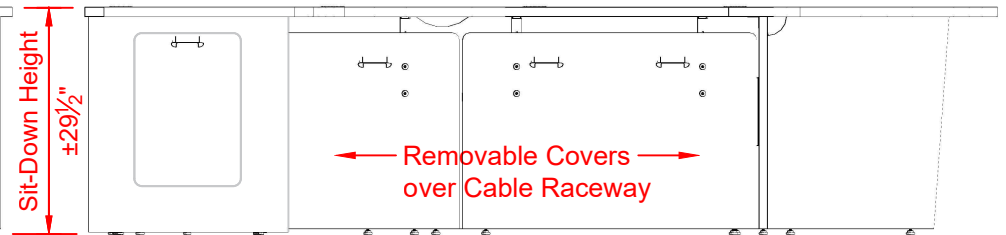
TOP VIEW



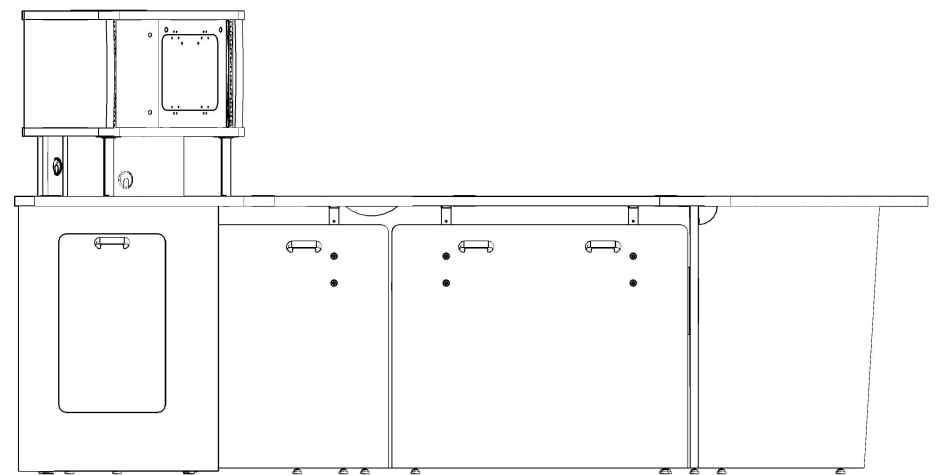
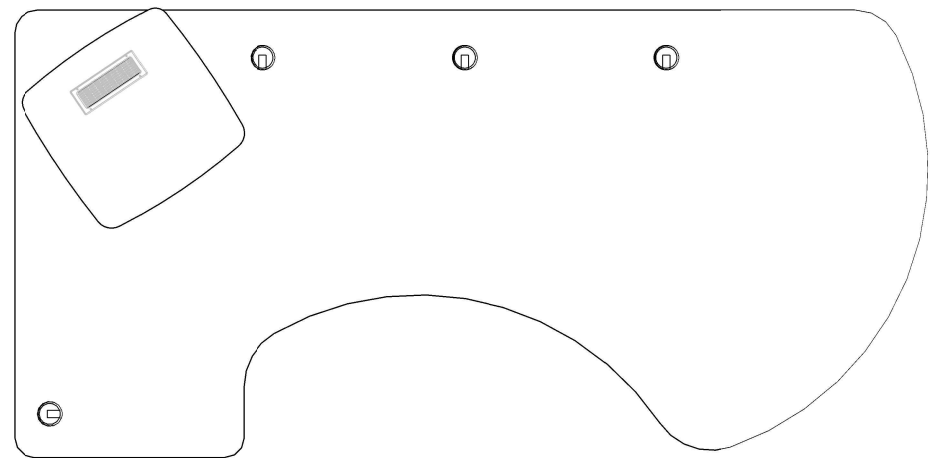
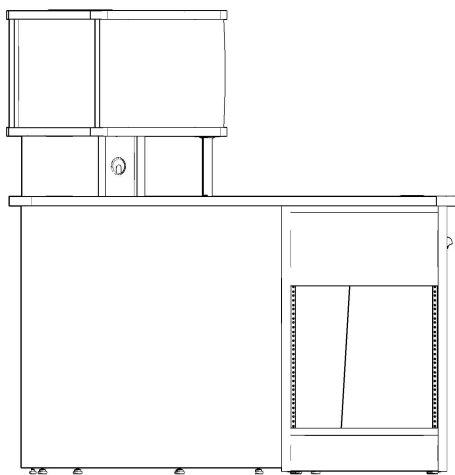
LEFT SIDE VIEW



RIGHT SIDE VIEW

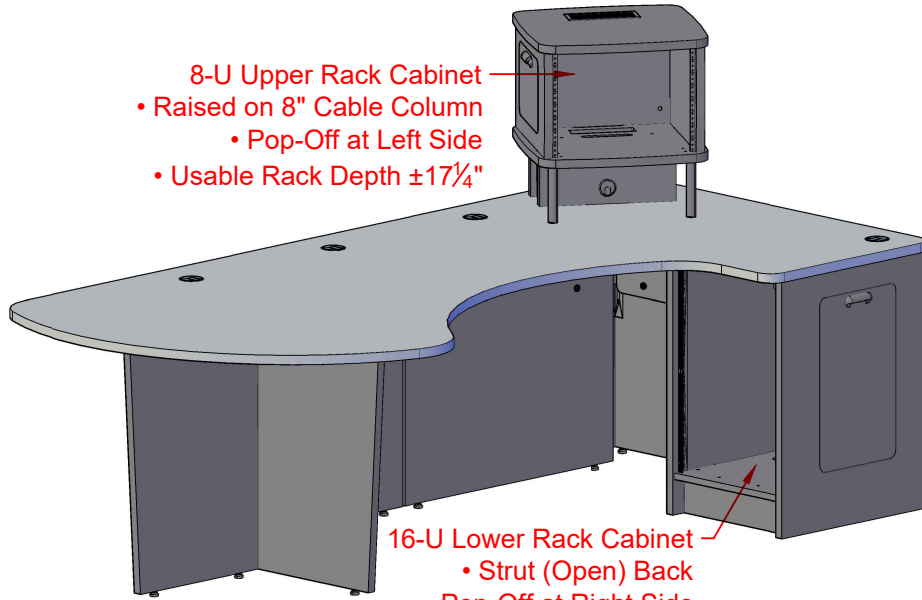


FRONT (OPERATOR'S) VIEW

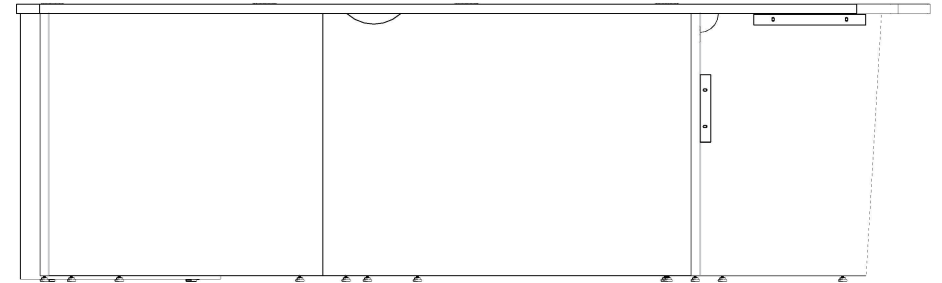


Phoenix P-11-8-ST-R – Schematic

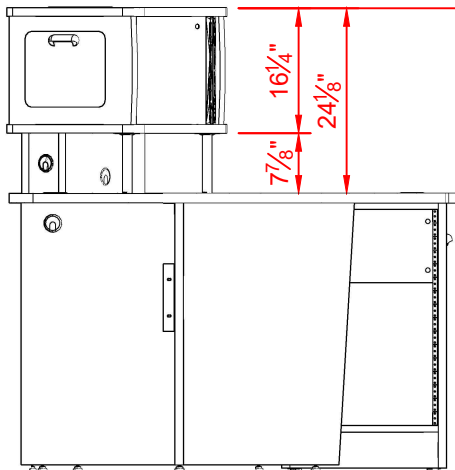
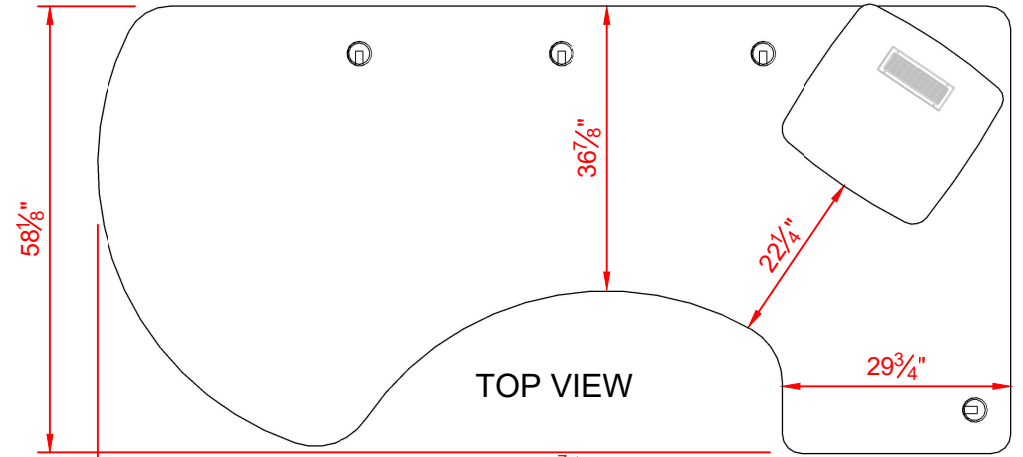
The Phoenix Production Studio is designed to fit into a room corner. Its Covers and Cable raceway are accessible beneath the Operator's position.



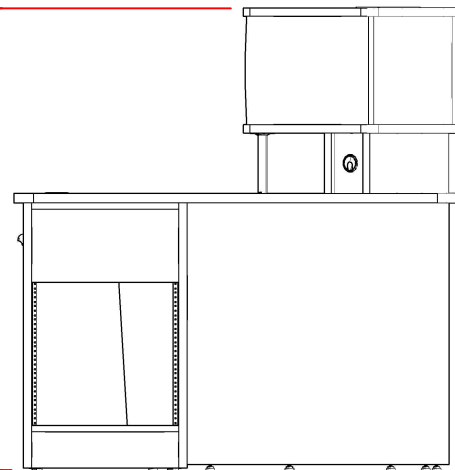
• Usable Rack Depth $\pm 25\frac{1}{8}$ " ($\pm 23\frac{1}{2}$ " for uppermost 6-U)



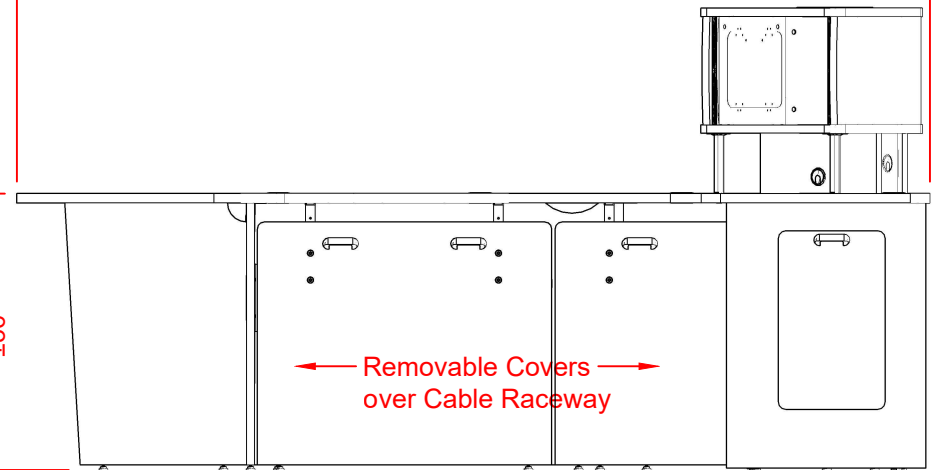
REAR VIEW



LEFT SIDE VIEW



RIGHT SIDE VIEW



FRONT (OPERATOR'S) VIEW