

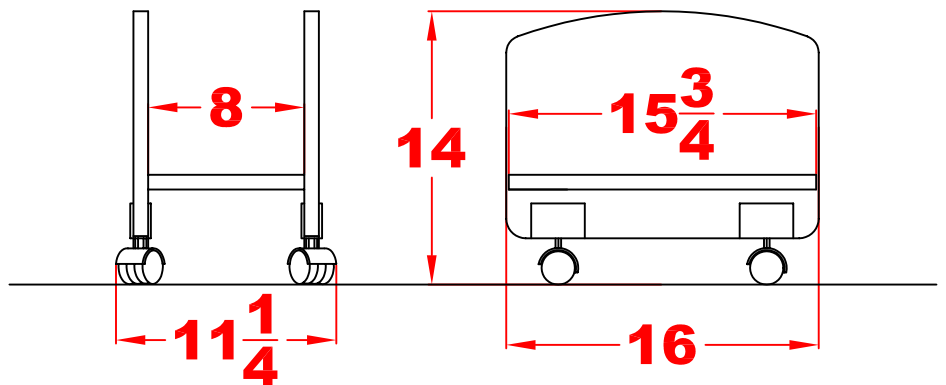
OMNIRAX

EDUCATIONAL FURNITURE

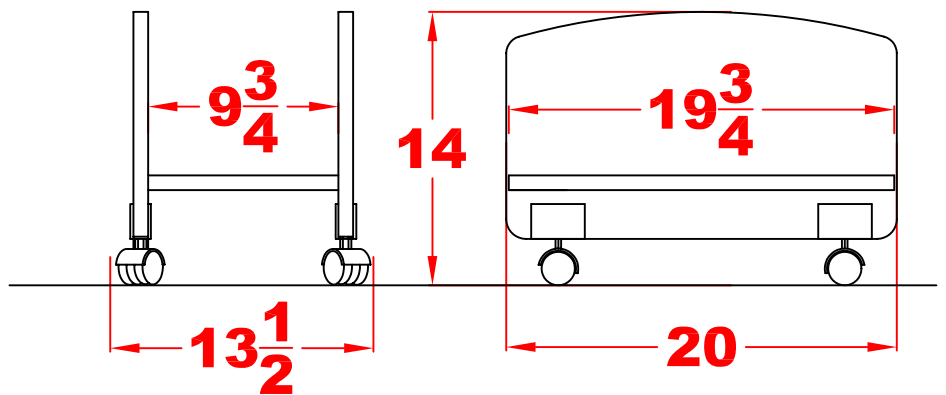
P.O. Box 1792 Sausalito California USA
415.332.3392 800.332.3393 415.332.2607 fax
www.omnirax.com info@omnirax.com

Fido Schematics

Fido



Fido G4



Fido G5

